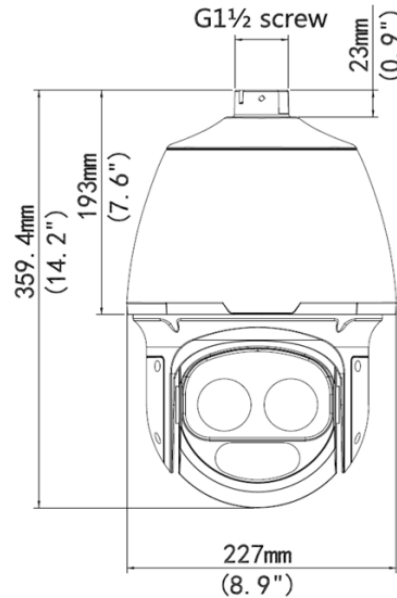




TPL24Z-x33

1080P Laser VF Network IR PTZ



Key Features

Optics

- 33x optical zoom
- Accurate and fast focusing
- IR anti-reflection window to increase the infrared transmittance
- Optical glass window with higher light transmittance
- Smart IR, up to 500m(1640ft) IR distance

Compression

- H.264 High Profile
- Triple streams
- Customized OSD

Network

- ONVIF Conformance

Structure

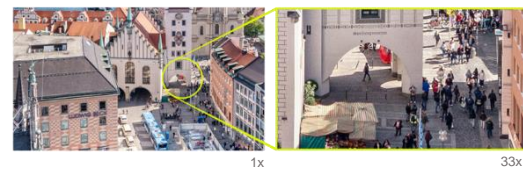
- Special structure and window design to battle bad weather (especially in dusty weather)
- Innovative snow-removing functionality
- Intelligent temperature control technology
- More effective heat dissipation system
- 6KV surge protection designed for network interface

Image

500m IR



Up to 33x Optical Zoom



Accessories



AWM331

Dimensions : 230.3mmx141mmx201.5mm
Weight : 0.79Kg



APE331

Dimensions : 215mmx170mmx52mm
Weight : 1.47Kg



APM331

Dimensions : Φ 116.5mmx239mm
Weight : 0.67Kg



ACM331

Dimensions : 215mmx210mmx122mm
Weight : 1.87Kg

Specifications

TPL24Z-x33	
Camera	
Sensor	1/2.8" progressive scan, 2 megapixel, CMOS
Focus/Zoom	4.5 ~ 148.5 mm (33x optical zoom)
Iris	Auto/Manual, F1.6 ~ F5.3
Shutter	Auto/Manual, shutter time: 1/6 s ~ 1/8000 s
Minimum Illumination	Color: 0.02 lux (F1.6, 50IRE) B/W: 0 lux
Day/Night	IR-cut filter with auto switch (ICR)
S/N	>52dB
Video	
Video Compression	H.264
Frame Rate	1080P (1920×1080):Max.30 fps; 720P (1280×720):Max.30 fps; D1 (720×576):Max.25 fps
Video Streaming	Triple
OSD	Time, custom, preset, PTZ coordinates, zoom, serial port, cardinal direction, network interface
Privacy Mask	Supported
Audio	
Audio Compression	G.711
Two-way audio	Supported
Storage	
Edge Storage	Micro SD, Up to 128 GB
Network	
Protocols	L2TP, IPv4, IGMP, ICMP, ARP, TCP, UDP, DHCP, RTP, RTSP, DNS, DDNS, NTP, FTP, UPnP, HTTP, SNMP, SIP, HTTPS
Compatible Integration	ONVIF, API
Pan & Tilt	
Pan Range	360°
Pan Speed	0.1°/s ~ 240°/s Preset speed: 300°/s
Tilt Range	-15° ~ +90° (auto reverse)
Tilt Speed	0.1° ~ 160°/s Preset speed: 240°/s
Number of Preset	255
Patrol	Preset patrol, route patrol, recorded patrol
Home Position	Supported
Interface	
Audio I/O	Audio interface
	Input: impedance 35 kΩ; amplitude 2 V [p-p]
	Output: impedance 600 Ω; amplitude 2 V [p-p]
Alarm I/O	2 alarm inputs, 1 alarm output
Serial Port	1 RS485
Network	10M/100M Base-TX adaptive Ethernet network interface
Video Output	1 BNC, impedance 75 Ω; amplitude 1 V [p-p]
General	
Power	24 V AC ±25% (default power supply), 24V DC ±25%
	Power consumption: 8 W ~ 47 W
	Overvoltage/overcurrent protection
Dimensions (Ø x H)	Ø227 mm x 359.4 mm (Ø8.9" x 14.2")
Weight	5.5 kg (12.1lb)
Working Environment	-40°C ~ +70°C (-40°F ~ 158°F), Humidity ≤ 90% RH(non-condensing)
IR	Built-in VF laser IR
Ingress Protection	IP66