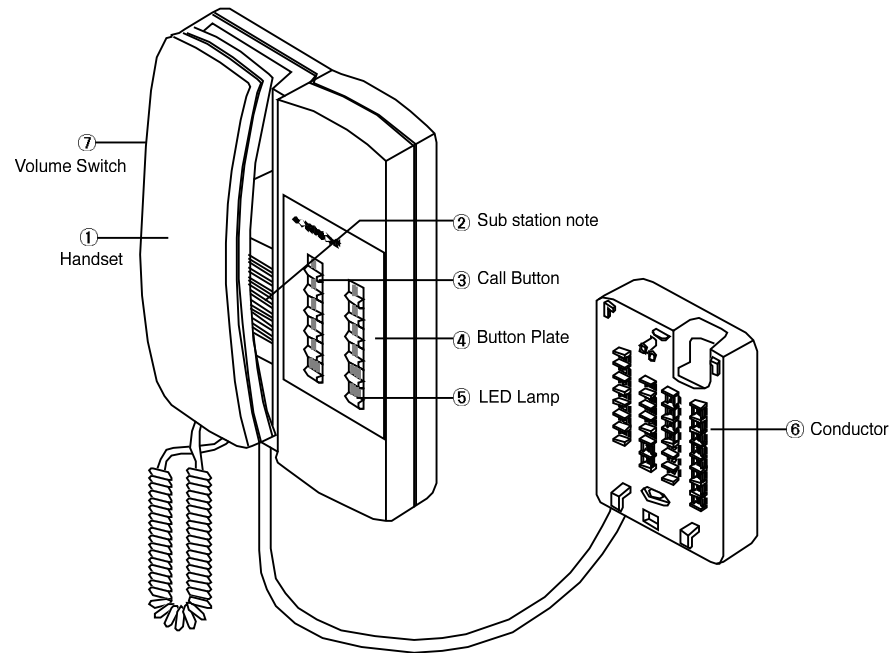


Operation Instructions.



Call Another Station

1. Master to Remote

Raise the handset and press the desired call button. A call tone will be heard at the selected station.

Place the handset on the hook switch to end a call.

2. Remote to Master

Just lift up the handset, a call tone will be heard from the Master.

Talk and replace the handset for stand-by.

Wiring Diagrams.

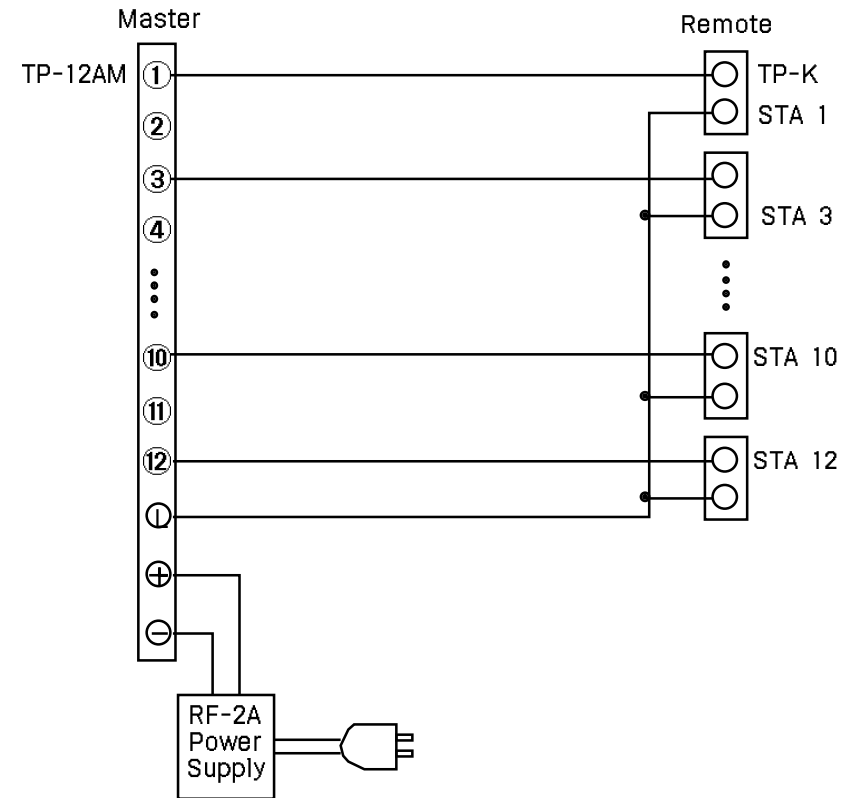
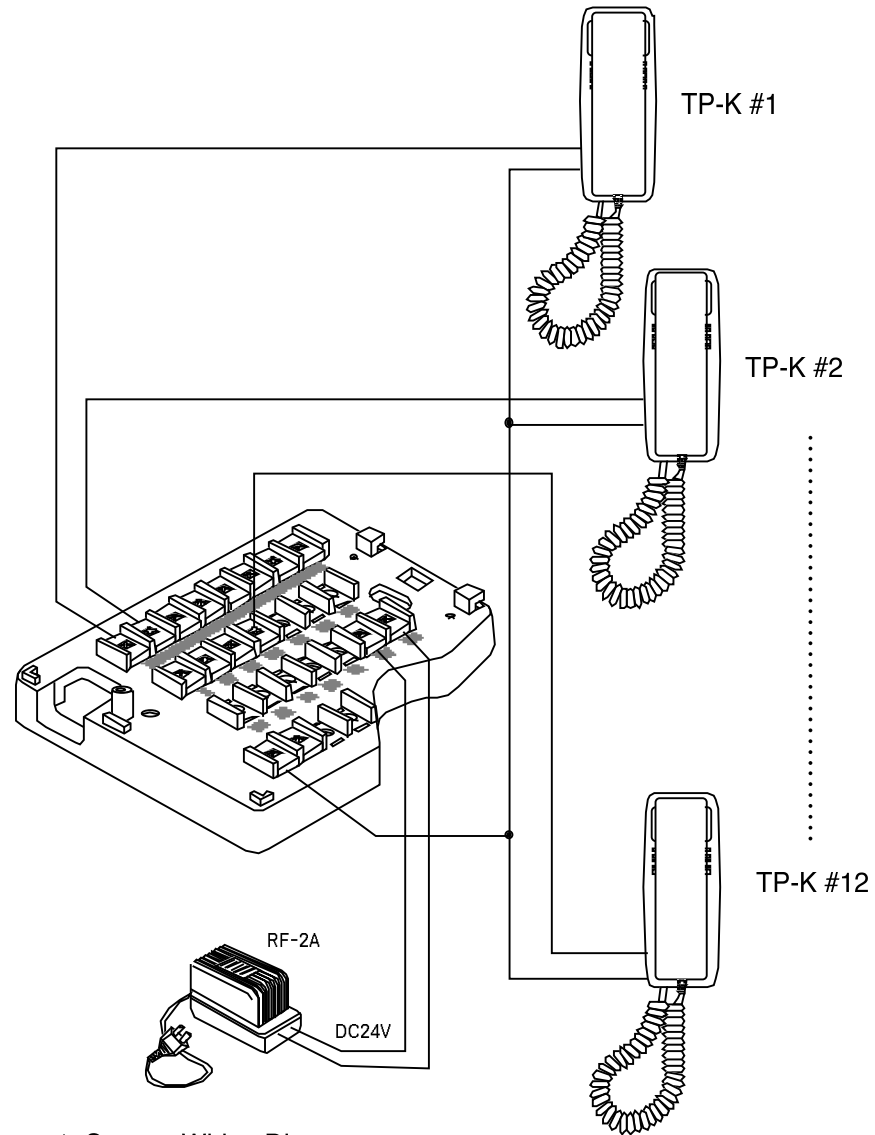


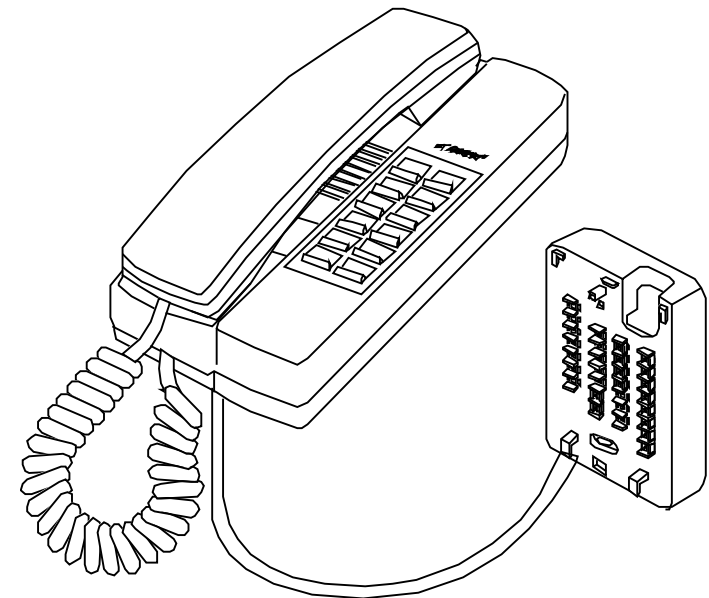
Figure 2. TP-12AM master with TP-K remotes.

Wiring Diagrams.



Single Master with Multiple Remotes INTERPHONE SYSTEM

Model No. : TP-12AM
TP-K



JUNG ANG ELECTRONICS CO., LTD

Figure 1. System Wiring Diagram.

Important Safety Instructions.

- Do not connect the power supply until system wiring is complete.
- Except for the power supply AC power cord plug, do not connect wires directly to AC power.
- Do not expose any equipment to rain or moisture
- Do not hammer on or staple through cables.
- Route cables away from excessive heat and high-voltage cables.
- Do not alter component wiring.

Specifications

- No of stations : Single master and up to 12 remotes.
- Operating Voltage : 24VDC
- Power Supply : Model RF-2A regulated 24VDC @/amp.
- Supply Current : 26mA minimum(idle) : 200mA maximum
- Output Impedance : 6 ohms
- Station Operation : Master – Push button station selection:
full duplex handset communication
Remote – lift up handset only.
- Call Signal : Master to remote - electric call tone.
Remote to master - Melody sound.
- Wiring required : Multi conductor cable.
- Mounting : Wall or desk-top. Junction boxes supplied.
- Dimensions: 220(H) × 114(W) × 66(D).

JIM-TPAM-001

Installation:

The junction box supplied may be mounted to a wall or single-gang outlet box. The screw terminal designations are as follows:

1, 2,11, 12	Station Number
L :	Call line terminal
	Audio ground
+ :	+ 24VDC connection
- :	- 24VDC connection.

Lay the system out before beginning installation. Decide on the most efficient cable runs and assign station numbers. Future service or expansion of the system will be facilitated if you draw a diagram of the system. System wiring diagram is shown in Figure 2.

Wiring

Use multi-conductor cable. Do not use twisted pair or shielded cable. The number of conductors required equals 3, plus the total number of Stations. Single Master/Remote system wiring consists of 2-conductor cable from each remote to the master. Begin wiring with station number 1. Write the color code of each wire on your diagram. Be sure to connect the proper wire to the L terminal at each station. Be sure to observe correct polarity when connecting the power supply.

Power Supply :

Use only the model RF-2A power supply. BE SURE TO OBSERVE CORRECT POLARITY WHEN CONNECTING THE POWER SUPPLY TO THE JUNCTION BOX.

Connect power supply after system wiring is complete.